



A new era of cooker hoods

Cooker hoods with the award-winning SAFERA safety technology.

Contact us

SAFERA Oy | www.safera.com
+358 207 181 475 | info@safera.com

SAFERA
SAFETY WITH STYLE



Cook as usual, only safer

A cooker hood with SAFERA safety technology ensures safe cooker use. SAFERA is the only cooker safety solution that can extinguish fires in addition to preventing hazardous situations.



The intelligent automatic switch-off turns off the cooker if it is left on accidentally.



The efficient fire extinguisher extinguishes cooker fires and grease fires quickly and cleanly.



The automatic child lock prevents accidents.

Cooking is an important part of life in all phases of life. The stylish SAFERA cooker safety solutions are suitable for many different user groups. They:

- reduce the need to worry about safe cooker use in the hustle and bustle of everyday life
- improve living safety in families with children
- improve the active lives of senior citizens
- support the independent living of elderly people and those with special needs.

The Ministry of the Interior granted the Innovation Award 2007 to the SAFERA cooker safety solutions. SAFERA products are designed and manufactured in Finland.



1. Select the cooker hood model to fit the style of your kitchen

SAFERA is available as a preinstalled accessory in the Savo Design & Technic and Swego Ilto cooker hoods. The cooker hood range offers several cooker hood models according to the installation options. Some examples below.



Cabinet installation

Cooker hood models installed on the bottom of a cabinet.

e.g. Ilto-SAFERA SR 60



Wall installation

Cooker hood models installed on the wall.

e.g. Savo-SAFERA C-5206



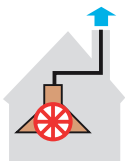
Island installation

Cooker hood models installed above a kitchen island.

e.g. Savo-SAFERA I-6109

2. Select the cooker hood to fit your ventilation system

The cooker hood range offers high-quality cooker hoods for all ventilation systems in the renovation or new building of both single-family houses and apartment blocks.



Discharge flue

Motor located in the cooker hood, which can be connected to the discharge flue.



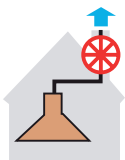
Recirculation to the room

Motor located in the cooker hood with an active carbon filter.



VENTILATION OR HEAT RECOVERY UNIT control

Cooker hood without separate motor. The building has ventilation or a heat recovery unit device, controlled with the controllers on the cooker hood.



Extractor fan

Cooker hood without separate motor. The building has an extractor fan, controlled with the controllers on the cooker hood.



Extractor fan

(venting from several rooms)
Cooker hood without separate motor, the building has an extractor fan. The cooker hood has a regulator valve.

3. Select the type of safety technology that suits your needs



Select the type of SAFERA safety technology to suit your needs.

SAFERA Smart

Designed to prevent the most common hazardous situations that can be caused by a cooker. The Smart model includes an intelligent automatic switch-off function and an automatic child lock.

SAFERA Premium

The most efficient cooker safety solution on the market. The Premium model includes an intelligent automatic switch-off function and an automatic child lock. If necessary, it will also extinguish any cooker fires efficiently and cleanly.

The picture shows the Savo-SAFERA CH-5506 model.

Comprehensive solution

SAFERA prevents and secures:

Hazardous situation alarm

If SAFERA detects a hazardous situation, it sounds an alarm. You can cancel the alarm and continue cooking.

Automatic switch-off

If you do not cancel the alarm, SAFERA switches the cooker off to prevent the hazardous situation.

Efficient fire extinguisher

If the automatic switch-off does not eliminate the hazard, SAFERA extinguished the fire quickly and efficiently. (Premium model)

Accidental use of the cooker can also be prevented by switching on the child lock. The child lock is located on the cooker hood, out of reach of children. The child lock can be set to be switched on automatically after cooking.

Easy to use with instructions

SAFERA ensures the safe operation of the cooker completely automatically, because hazardous situations can often occur when the cooker is left on without supervision.

Instructions in emergencies

In case of an emergency, SAFERA will instruct the user in using the product: the LED lights in the corners of the buttons show you which button to push.

Always ready for use

SAFERA uses mains electricity and is therefore always ready for use. There is no need to worry about changing batteries.

Efficient and clean extinguishing

Both solid material fires and grease fires can be extinguished. The amount of extinguishing liquid used is less than 0.5 litres, which means that the area around the cooker is easy to clean with a damp cloth.

Cooker hood with safety technology

Cooker hood with safety technology

Fire extinguisher

Central unit

Control panel

1 x power point for the safety technology system

SAFERA WIRELESS connection

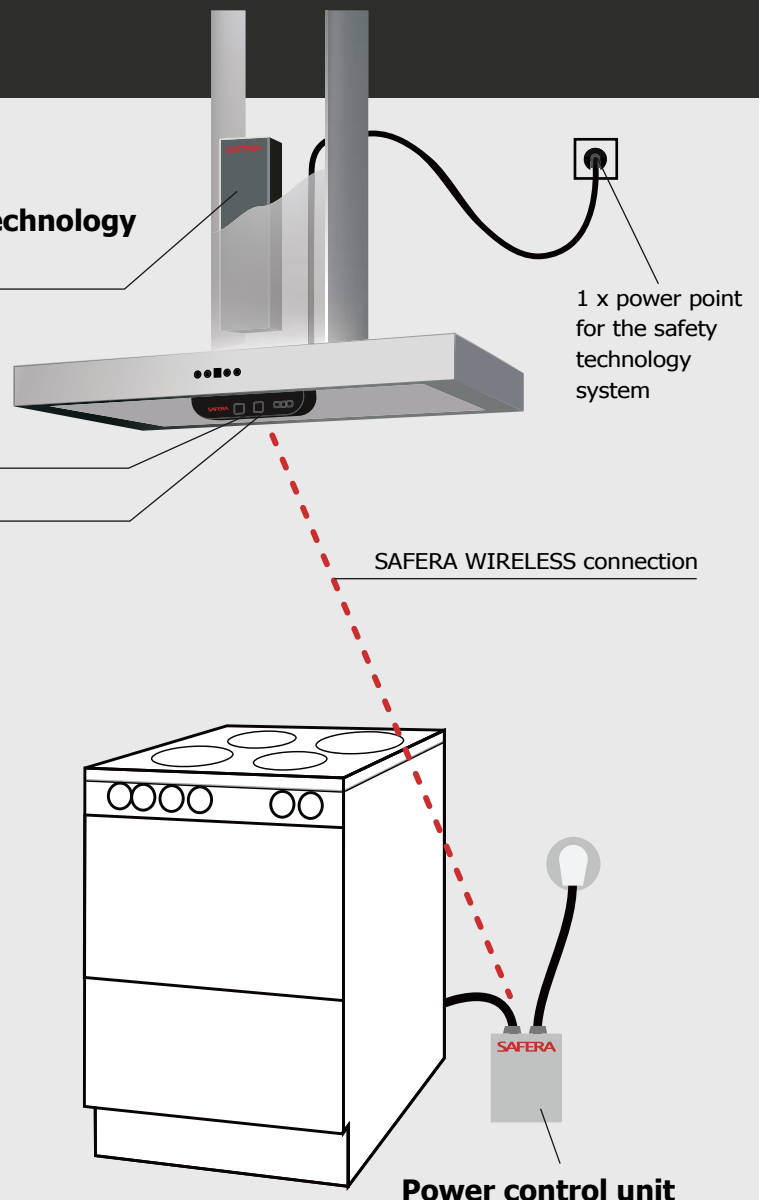
SAFERA is a stylish cooker safety solution, integrated into the cooker hood.

Easy installation without additional cables or water connections.

Installation is easy for renovated buildings as well, because no additional cables are necessary. A central unit and fire extinguisher are pre-installed in the cooker hood. In addition, the power control unit is installed on the cooker's power supply.

Reliable wireless connection

The SAFERA Wireless connection between the cooker hood and the power control unit has been designed specifically for environments where safety is critical. The connection is created automatically during system start-up.



Suitable for all homes.

A cooker hood with SAFERA safety technology is easy to install in both new buildings and existing kitchens. Installation is similar to that of a traditional cooker hood.

Compatible with all electric cookers.

SAFERA solutions are compatible with all types of electric cookers meant for household use, including induction cookers. SAFERA does not interfere with timers or other cooker safety functions.

Adjustable according to the installation environment.

The alarm sensitivity can be adjusted for various kitchen environments, ensuring swift reaction to hazardous situations while enabling normal cooking without false alarms.

Simple installation

The safety technology solutions use mains electricity and can be connected to the same two-piece power source as the cooker hood, if necessary.

Automatic start-up

The creation of the wireless connection between the cooker hood and the power control unit and pairing the equipment is done practically automatically.

Independent fire extinguisher

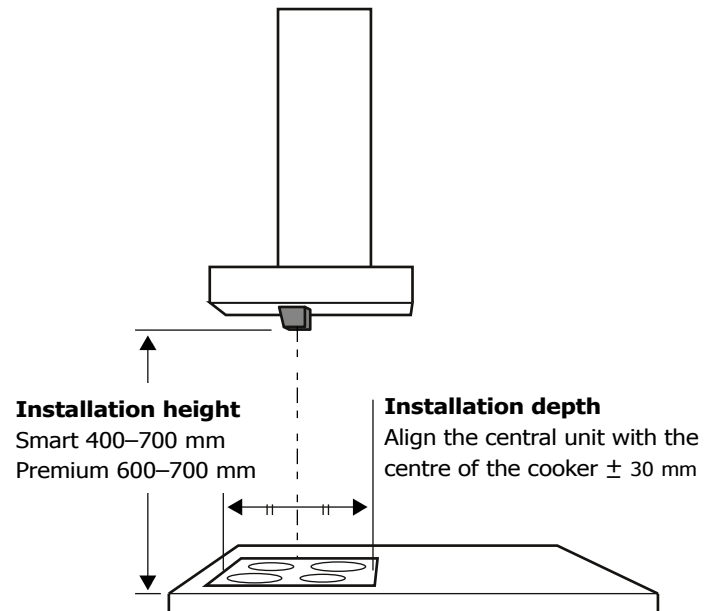
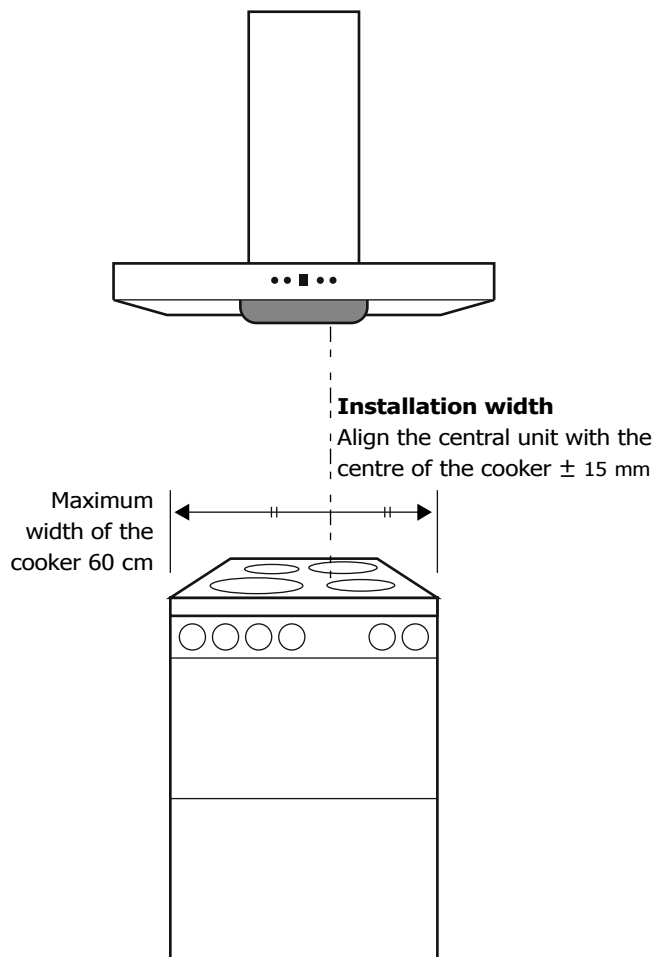
The independent fire extinguisher is pre-installed on the cooker hood and does not require a water connection. The service interval of the extinguisher is ten years.

Ready for installation

The power control unit (IP66) is installed between the cooker and the power supply, in place of the cooker's power cable. The connection cable is included in the delivery, and no other junction boxes are necessary.

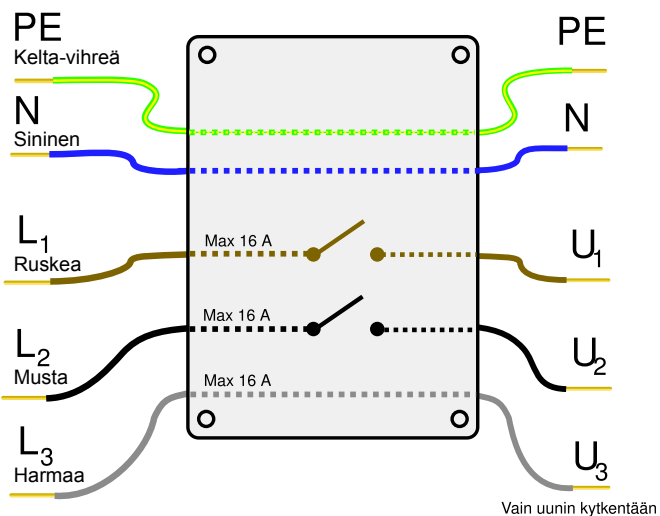
Installation measurements

The installation measurements correspond to the most common measurements of cooker hoods.



Pay particular attention to the installation depth with kitchen islands. Ask for other installation heights for SAFERA Premium.

Circuit diagram



L3–U3 is not equipped with automatic switch-off, and it is only meant for the connection of the oven.

Internal circuit diagram for the power control unit

The power control unit can be installed in one, two or three stages.

Technical specifications

Technical specifications of the appliance below.

Central unit

Power supply:	220–230 V, 50–60 Hz, output voltage of the power supply: 6 V
Power consumption:	5 W
Dimensions:	170 x 50 x 50 mm
Wireless connection:	SAFERA Wireless 2.4 GHz Service range: depending on the building structures, 10–100 m.

Power control unit

Compatibility:	Most electric cookers meant for household use, with a max. width of 60 cm.
Power supply:	220–230 V, 50–60 Hz
Power consumption:	5 W
Dimensions:	180 x 130 x 60 mm

Fire extinguisher

Applicability:	Typical cooker fires and grease fires.
Power supply:	5 V
Power consumption:	5 W (only when extinguishing a fire)
Fire extinguishing agent:	0.4 l
Dimensions:	70 x 70 x 350 mm
Service life of the fire extinguishing agent:	10 years